







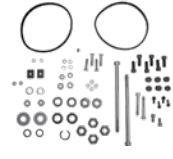








Group:	M125R	Notes: Refer to SP1015 -DWG for major component drawing. Refer to TSB-3016 for hardware kit breakdown.
Form:	SP1015-M125	
Date:	November 17, 2008	
File:	Starter Motor Parts List Section	

Component View	Drive Assembly	Solenoid Assembly	Brushholder Assembly	C.E. Housing Assembly	Shift Housing Assembly	Armature Assembly
						
Model	1	2	3	4	5	6
M125R2001SEP	M029104438S	S214104463S	M007104406S	M012104401S	M777104420S	M002104488S
M125R3001SEP	M029104438S	S214104597S	M007104406S	M012104401S	M777104420S	M002105202S

Component View	Field and Frame Assembly	Nose Housing Assembly	Hardware / O Ring Kit	Brushes Kit	Helper Relay	Washer Kit
						
Model	7	8			11	
M125R2001SEP	M016104423S	M014104581S	K212103968S	K185103966S	S214104546S	K185103967S
M125R3001SEP	M016105210S	M014104581S	K212103968S	K185103981S	S214105200S	K185103967S

Important: The information contained in this bulletin is intended for use by trained, professional technicians who have the proper tools, equipment, and training to perform the required maintenance described above. This information is NOT intended for 'do-it-yourselfers', and you should not assume that this information applies to your equipment. If you have any questions regarding this information please visit our website at www.prestolite.com, or contact our technical service department at:

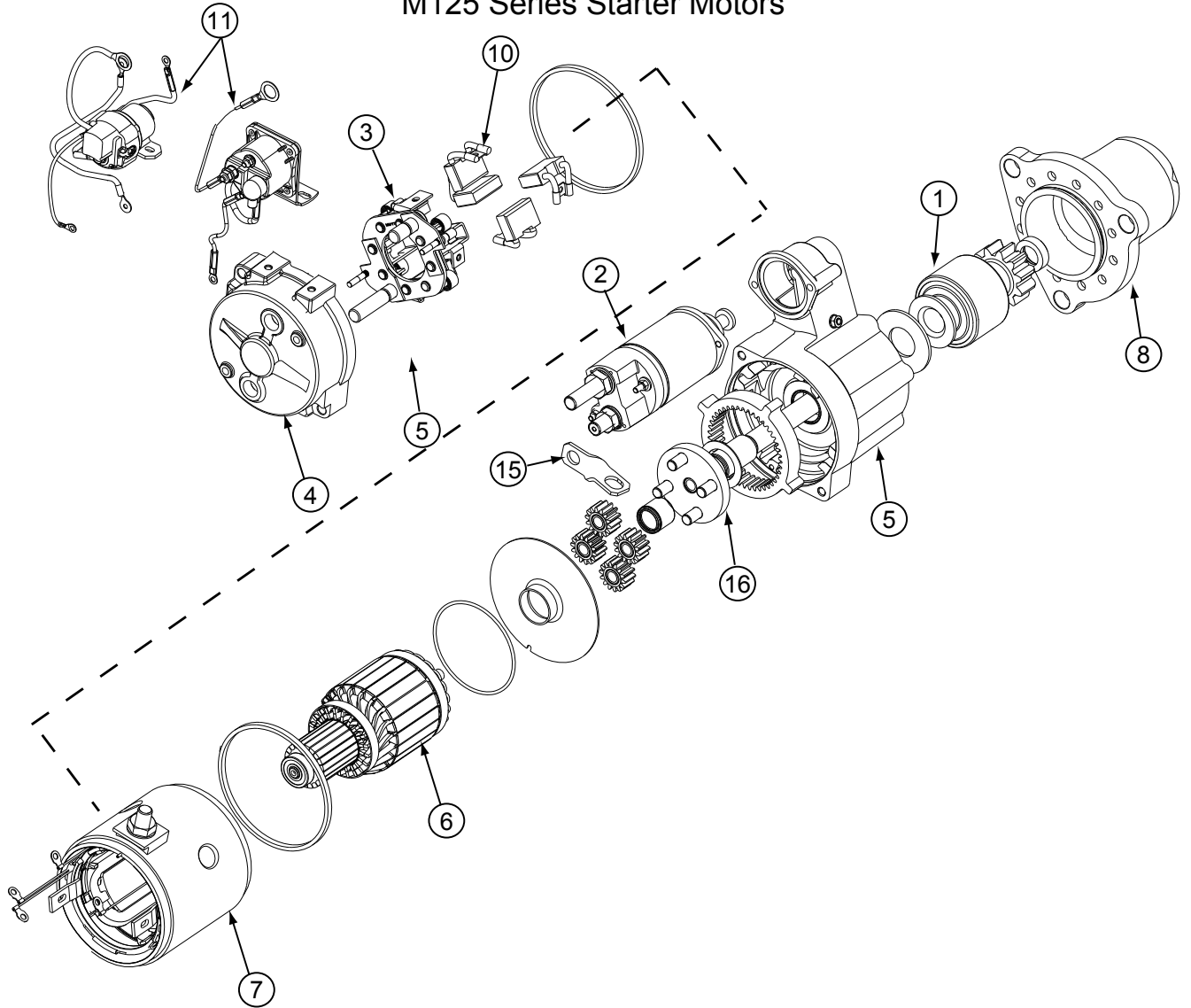
Group:	M125R	Notes: Refer to SP1015 -DWG for major component drawing. Refer to TSB-3016 for hardware kit breakdown.
Form:	SP1015-M125	
Date:	November 17, 2008	
File:	Starter Motor Parts List Section	

Component View	Gearbox Overhaul Kit	Jumper	Drive Shaft Assembly
			
Model		15	16
M125R2001SEP	K183103965S	859775S	M365104473S
M125R3001SEP	K183103965S	859775S	M365104473S

Important: The information contained in this bulletin is intended for use by trained, professional technicians who have the proper tools, equipment, and training to perform the required maintenance described above. This information is NOT intended for 'do-it-yourselfers', and you should not assume that this information applies to your equipment. If you have any questions regarding this information please visit our website at www.prestolite.com, or contact our technical service department at:

Group:	M125 Starters	Notes:
Form:	SP1015-DWG	Refer to SP1015 for parts breakdown.
Date:	August 4, 2008	Refer to TSB-3016 for hardware kit breakdown.
File:	Starter Parts List Section	

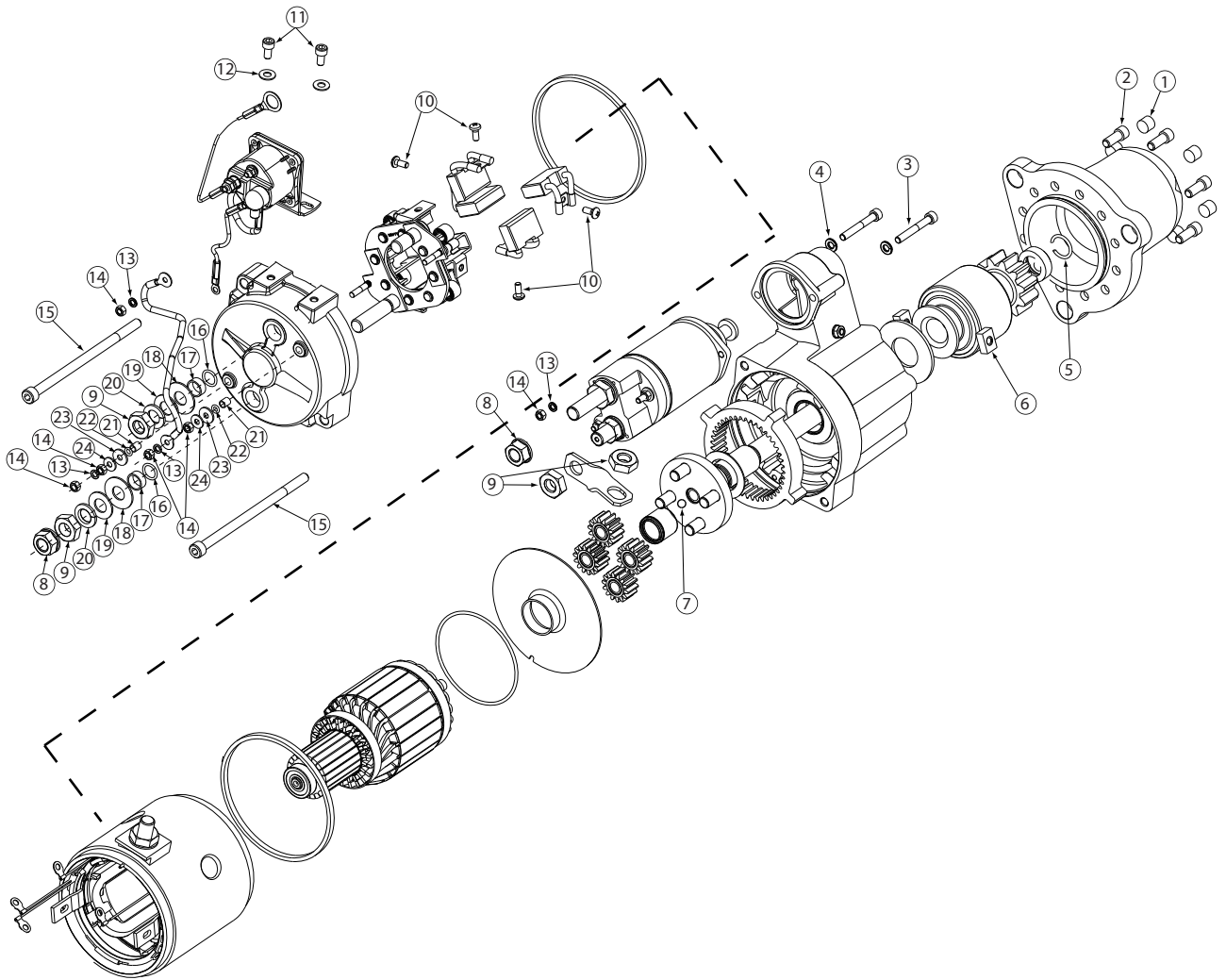
M125 Series Starter Motors



See TSB-3016
for Hardware Kit
breakdown

Important: The information contained in this bulletin is intended for use by trained, professional technicians who have the proper tools, equipment, and training to perform the required maintenance described above. This information is NOT intended for 'do-it-yourselfers', and you should not assume that this information applies to your equipment. If you have any questions regarding this information please visit our website at www.prestolite.com, or contact our technical service department at:

Source: Leece-Neville Heavy Duty Systems Division - Arcade, NY USA
Date: April 4, 2008
Bulletin No: TSB-3016
Models: M125R Starter Motor
Subject: Hardware kit for M125R starter motors K212103968S



Important: The information contained in this bulletin is intended for use by trained, professional technicians who have the proper tools, equipment, and training to perform the required maintenance described above. This information is NOT intended for 'do-it-yourselfers', and you should not assume that this information applies to your equipment. If you have any questions regarding this information please visit our website at www.prestolite.com, or contact our technical service department at:

Date: April 4, 2008

Bulletin No: TSB-3016

Note: All of these components are part of the hardware kit and not available for individual purchase.

Description	Qty.	Key	Where used
Rubber Plug	6	1	Rubber nose housing plugs
Screw, Socket Head	6	2	Attaches nose housing to shift lever housing
Screw, Socket Head	2	3	Attaches solenoid to shift lever housing
Lockwasher	2	4	Lockwashers for Key 3 bolts
Snap Ring	1	5	Drive shaft snap ring
Cam, Lever Arm	2	6	Cams for drive assy
Thrush Ball	1	7	Used in gear box assy
Nut, Hex Flange	2	8	Attaches customers cables to starter
Nut, Hex Jam	4	9	Negative stud hardware/ motor strap
Steel Screws	4	10	Brush Screws
Screw, Socket Head	2	11	Attach helper relay to CE Hsg
Washer, Flat	2	12	Flat washers for Key 11 screws
Washer, Lock	4	13	Used in various locations. See iso view
Nut, Hex	4	14	Used in various locations. See iso view
Bolt	2	15	Attach CE housing to motor
O-Ring	2	16	Seals studs on CE housing
Bushing, Insulation	2	17	Insulates studs on CE housing
Washer, Insulating	2	18	Insulates studs on CE housing
Washer, Flat	2	19	Negative stud hardware
Washer, Lock	2	20	Negative stud hardware
Sleeve, Insulating	2	21	Insulates studs on CE housing
O-Ring	2	22	Seals studs on CE housing
Washer, Insulating	2	23	Insulates studs on CE housing
Washer, Flat	2	24	Attaches brush gear to CE hsg

Important: The information contained in this bulletin is intended for use by trained, professional technicians who have the proper tools, equipment, and training to perform the required maintenance described above. This information is NOT intended for 'do-it-yourselfers', and you should not assume that this information applies to your equipment. If you have any questions regarding this information please visit our website at www.prestolite.com, or contact our technical service department at: