

9kW / 24 Volt
Ultimate Power...



TITAN
125

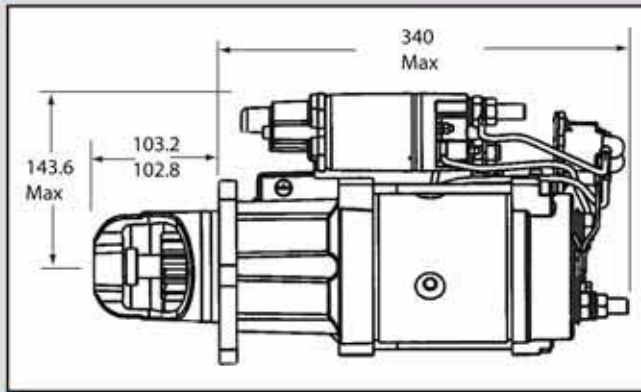
... For The Toughest Jobs

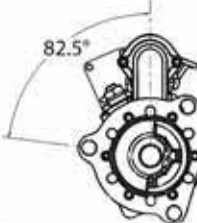
SETTING THE STANDARD...AGAIN

- ☀ Replacement for 50MT
- ☀ In-line gear reduced design

- ☀ Rotatable nose housing
- ☀ Power, torque and speed

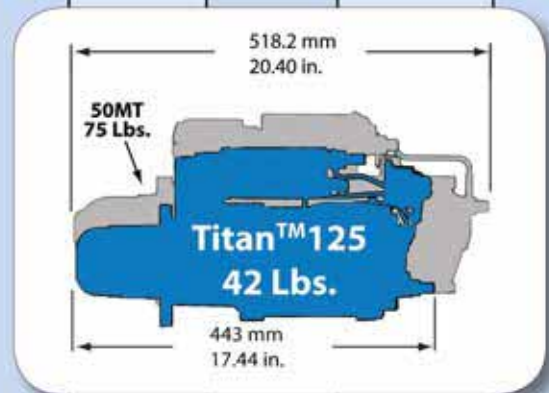
Specifications



M125701					
Front View	Details	Teeth	Pinion Details		
			Pitch	OD	Pinion at rest
	24V CW Rotatable SAE3 Flange	11	6/8	2.24" 56.8mm	1.91" 48.5mm

Titan™ 125 24V Cross Reference

Type	OE Reference Number										
M125	Delco	Case	CAT	Cummins	Detroit Diesel	Fiat Allis	International	John Deere	Ford	Onan	
M125701	1990249	1109798	20-1297T91	0R4272	173184	R0461125	70620350	399440C91	RE10464	D7HT-11001-AA D8HZ-11002-C E1HT-11001-DB E2HT-11001-CA E3HZ-11002	191-1588 191-2135
	10479339	1109839	462588C91	OR5213	3000576		70675686	462588C91			
	10461739	1109840	489717C91	3L8205	3004699		70697811	489717C91			
	10461057	1109841	739911C9	3T2780	3004700		73114229	729912C91			
	10461125	1109842	739912C91	3T2785	3010125		73130196	739911C91			
	10479125	1109845		3T2787	3021038		73130197	844317C91			
	10479126	1109846		3T3778	3063771		73130198				
	1109222	1109961		3T8947	3603868RX		73130627				
	1109285	1109965		3T8949	3603888RX						
	1109286	1109972		3T8954	3632274						
	1109287	1109979		3T8967	3632274RX						
	1109288	1109985		4M5615							
	1109289	1990229		4N0959							
	1109290	1990231		4N3343							
	1109291	1990235		4N3349							
	1109292	1990237		5L3648							
	1109296	1990239		5L4405							
	1109298	1990248		5L5353							
	1109494	1990249		5L648							
	1109553	1990250		5L8205							
	1109631	1990251		5LG48							
	1109638	1990259		5N2685							
	1109642	1990260		6N9667							
	1109643	1990262		6N9677							
	1109647	1990263		6T0640							
	1109649	1990264		6T0647							
	1109755	1990269		6V0511							
	1109759	1990270		6V0590							
	1109768	1990271		6V0890							
	1109771	1990273		8L8205							
	1109772	1990274		9L6464							
	1109774	1990276		9L6474							
1109775	1993825		9L6484								
1109776	1993840										
1109777	1993841										
1109780	1993852										
1109791											



*Application Approval Required

 **Electrical soft start**
 **OCP standard**

 **Integral mag switch relay**
 **9 kW / 1 Year Warranty***

part of the Road Warrior™ Series

Titan™ 125 24V Application

Application (Trucks, Off-Road, Ag, etc.)	CAT	CUMMINS	DETROIT DIESEL	JOHN DEERE	IVECO	MACK	WAUKESHA DRESSER
ALLIS CHALMERS: Crawlers - HD-16, HD-16DD, HD-16DP, HD-16P, HD-16-PS, HD-21, HD-21G, HD-41 AUTOCAR: Trucks-w/Cat & w/DD Engines	3406	V-1710	12V-71N 12V-71				
CASE: Crawlers-120C, Excavators-120D, Compactors-825C CATERPILLAR: Compactors-826C, Excavators-245, Construction/Mining Trucks-768C, 769B, 769C, 769D, 771C, 772B, 772D, 773B, 773D, Scrapers-621B, 621E, 623E, 631D, 631E, 633D, 637E, 639D, 641B, 651B, 651E, 657B, 657E, 660B, Loaders (Track)-983B, D8N, Loaders (Wheel)-988, 988B, 992, 992B, 992C, DOZER-824C, 834B, MARINE-Various Models (1974-1997)	3406 3408 3412 3508 3512 3516	KTA-450 KT KTA-1150 NT-310 NVH-450 V12-635 V12-635C1 V-1710 V-1710C VTA-1710C KTA-1150	8V-92 12V-71 D343 D346 12V-71 12V-71 12V-71N 16V-71N 16V-92				
CHEVROLET/GMC Trucks: D9K Titan, D9L Titan, DK90, DP90, FK90, MK90, N9E, N9F, Bison CLARK: Dozer-380, 380III, 380IIIA, 380-2 III, 380C III, 480, Scrapers-310, 310 III, 310 III-H, 410, Tractor Shovels-275K, 475 III, 475B, 675, 675B, Construction Equip (Trucks) - CFA-13, CFA-14, CFA-15, CFA-19, (Tournapuls) BPA-5, BPA-7, BPA-8, BPH-5							
DRESSER: Loaders-550, 560B DETROIT MFG: Crawlers-120C EUCLID: Scrapers-SS-40A, Tractors-36LDT, 41LDT, 44LDT, 46LDT, Trucks-201TD, 71TD, 74TD, 75TD, R35, Wagons-138W, 141W, 144W, 146W			12V-71 12V-71				
FIAT-ALLIS: Crawler/Loaders - FL20, Crawler/ Tractors-HD-16DD/PS, HD21, HD31, HD41, Crawlers-FD20, FD30, Excavators-FE40, Tractor/Scrapers-FS11, FS20, FS21, FS22, FS23, Loaders (Wheel) - 745, 945/B, FL20, FR20, FR35 FORD Trucks: L6000/7000/8000/9000 Series, Many models prior to 1984 w/Cummins, DD, Cat engines	3406	855 KTA-1150	6V-92 8V-71 8V-92		8215 8285		
FREIGHTLINER: Classic, FL, FLC112/120, FLT	3306 3408	K Series	60 Series 8V-92 12V-71				
GROVE MFG: Cranes-TM1400 HOUGH: D-5000 INGERSOLL RAND: Air Compressor-DL122 INTERNATIONAL Construction Equip: PayDozers-D400, D500, PayHaulers-PH350B, PayLoaders-H400B, H400C INTERNATIONAL Truck: Paystar DD, Transtar, Transtar DD JOHN DEERE: Engines-8955, Excavators-900, Loaders-844, Power Units-8955	3408TA	KT-450 VT12-635	8V-92TA				
KENWORTH: C500, C500DD, K100, K100D, L700, L700D, W900, W900DD	3406 3408	KT400/600 KT450/600 NTC-855 L10	8V-92 12V-71	8955T/A 955			
MACK: CH/CL/CM series, DM/DMM series, F/FL/FS/FDM series, MC/MH/MR series, R/RB/RD/RL/RM/RW series, U Series (all with Mack Engines), also MH Series w/Cat engine	3208		12V-71 12V-71 16V-71N 8V-92			ES, ECS, DM, DMM F, FL, FS, FDM MC, MH, MR, R RB, RD, RL, RM RS, RW, U	
MURPHY DIESEL: 852, 862, 872, MP11, MP12, MP20, MP21, M22, M24 PETERBILT: 357, 359, 362, 377, 378, 379, All Models (1980-85)w/Cat 3406, All Models (1980-89)w/Cat 3408, All Models (1977-88) w/Cummins K, All Models (1972-82) w/DD 12V-71, All Models (1979-90) w/DD 8V-92	3406 3408	K Series	8V-92				
STEIGER: Tractors-Tiger 450, Tiger 470, Tiger III, Tiger III ST450, Tiger III ST470, Tiger IV KP525 VERSATILE: Tractors-1150, 1156 VOLVO: Trucks-Most Models (1983-93) w/various Engines WABCO: Haulpack Trucks - 35 ton, 50 ton, 65 ton, 75 ton, 85 ton, 120 ton, 170 ton (1979-87), Haulpack Scrapers-333, 339, 353FT	3408	KTA-1150 KTA-1150					
WAUKESHA/DRESSER: Engines-F/L Series (1981-89)			12V-71 12V-71T 12V-149 16V-71 16V-149				F-2895 F-3335D F-3521 L-5108G L-5790 L-6670D L-7042G
WESTERN STAR: Trucks-All Models (1974-88) w/Cat 3408 & Cummins K/KT, All Models (1989-92) w/DD60, Other earlier Models w/various Engines	3408	K/KT L10	DD-60 8V-92 12V-71				
WHITE: Trucks-All Models (1974-84) w/Cat 3408 & Cummins K/KT, All Models (1974-80) w/DD 12V-71, All Models (1974-84) w/8V-92	3408	K/KT K/KT	8V-92 8V-92				

THE POWER OF EXCELLENCE

LEECE-NEVILLE HEAVY DUTY SYSTEMS

A DIVISION OF PRESTOLITE ELECTRIC INC.

www.prestolite.com

Manufacturing OE Sales

400 Main Street
Arcade, NY USA 14009

Phone: (585) 492-1700

Fax: (585) 492-1660

Distribution, Aftermarket Sales

7585 Empire Drive
Florence, KY USA 41042

Phone: (859) 525-8801

(800) 354-0560

Fax: (800) 997-6202