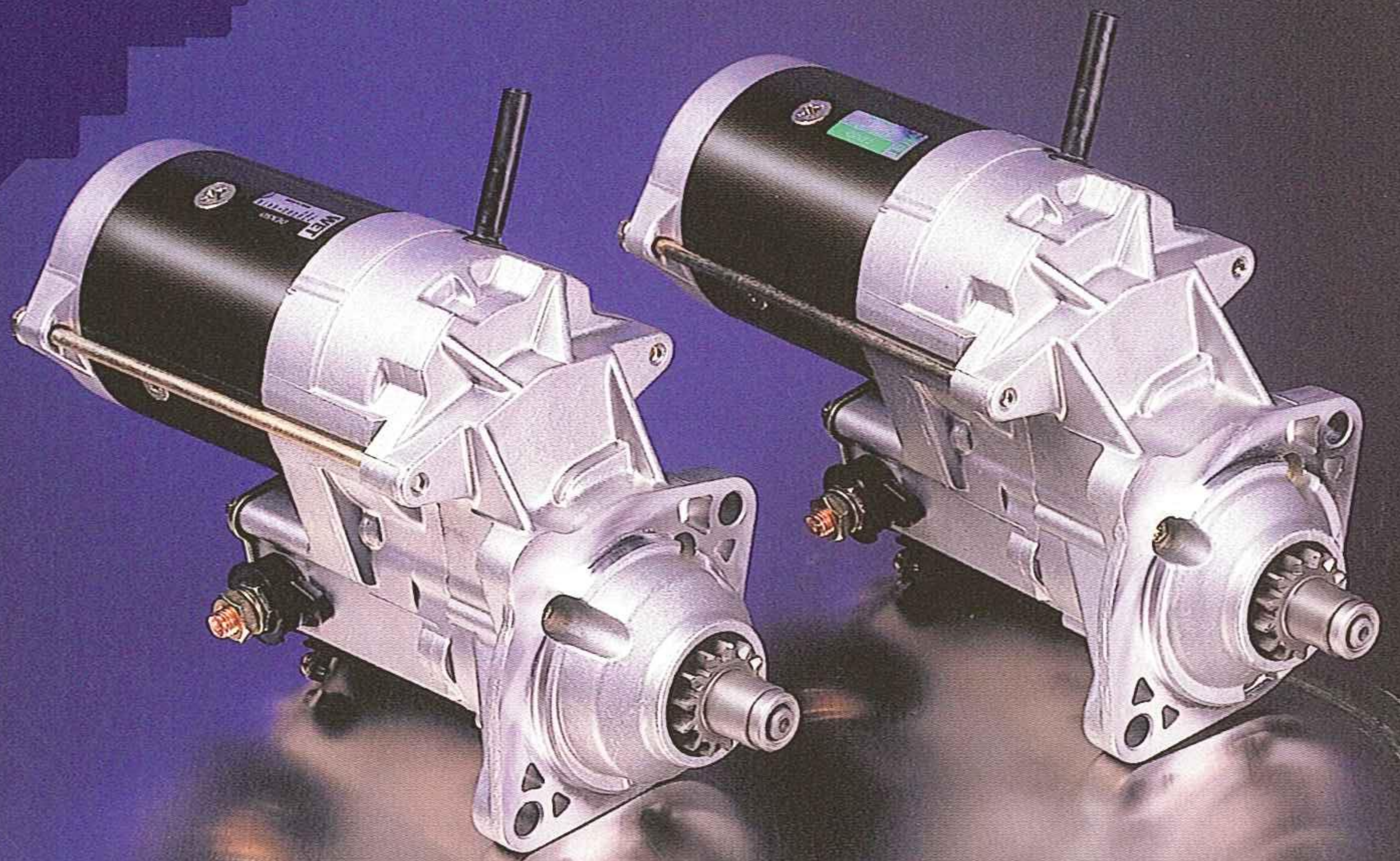
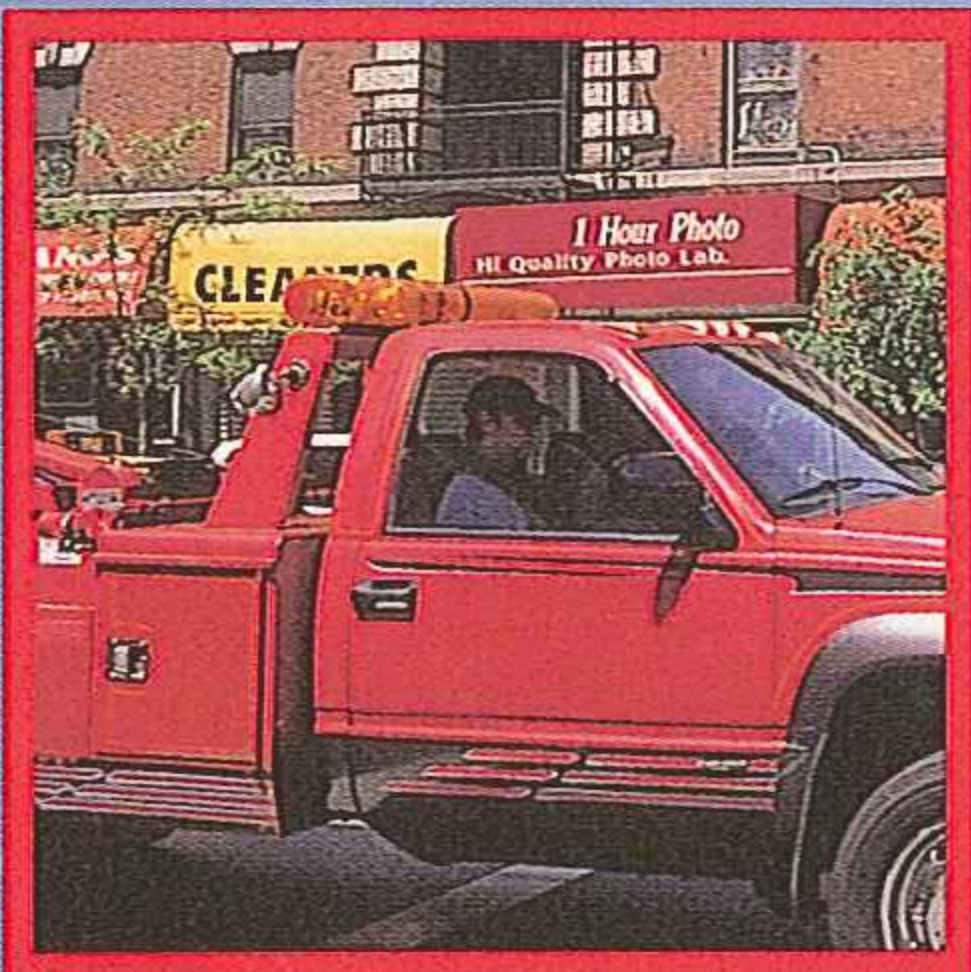


# DENSO

## 228000-8410 AND 228000-8420

### GEAR REDUCTION STARTERS FROM THE WORLD'S LARGEST STARTER MANUFACTURER



## GEARED FOR YOUR TOUGHEST APPLICATIONS

For thirty years the biggest names in commercial power plants have chosen one name in cranking power— DENSO. Around the globe, DENSO gear reduction starters simply install faster, maintain easier and withstand abuse better under extreme conditions. Quality, durability, reliability and performance have made DENSO the world's largest starter manufacturer.

### APPLICATIONS (DIESEL)

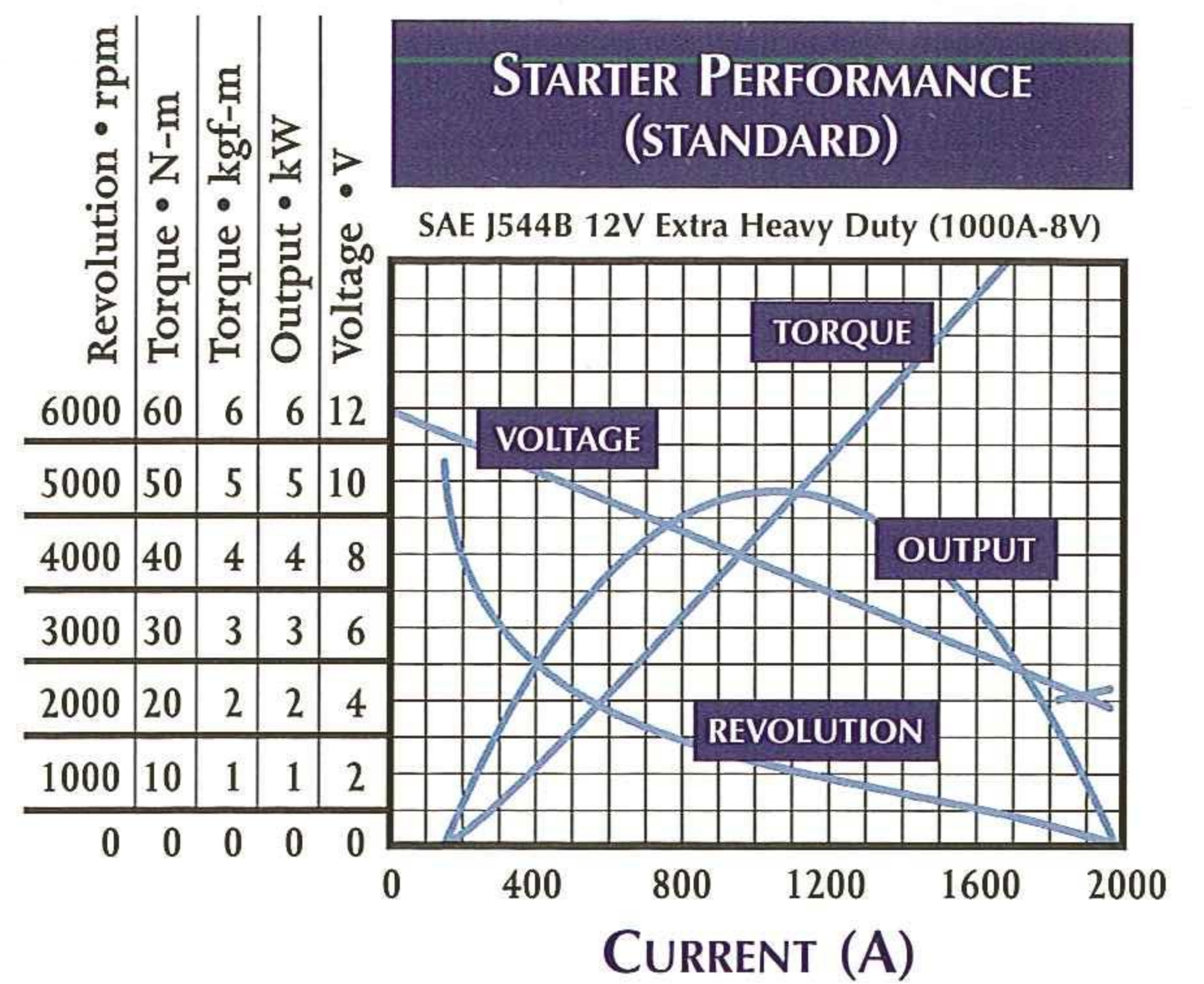
**228000-8410:**  
FORD/NAVISTAR 6.9L  
(A/T & M/T)  
FORD/NAVISTAR 7.3L  
(A/T & M/T)

**228000-8420:**  
FORD/NAVISTAR 7.3L  
DIRECT INJECTION  
(A/T & M/T)

### FEATURES

- Compact and lightweight design
- High torque
- High durability in frequent stop/start applications
- Impact torque limiter used for prevention of ring gear damage
- Self-contained clutch shaft
- Solenoid and clutch arranged co-axially for smooth engagement
- Sealed heavy duty ball bearings

# 228000-8410 AND 228000-8420



## USAGE

- Department of Transportation (DOT)
- Emergency Vehicles
- Hotel Shuttle Buses
- Landscape Vehicles
- Mechanical Services Fleets (HVAC, Electrical, etc.)
- Rental Car Shuttle Buses
- Road Construction Fleets
- Support Trucks for Airport Services (Airlines)
- Support Trucks for Misc. Large Fleets (Garbage, Concrete, etc.)
- Tow Vehicles

## SPECIFICATIONS

- 12V 4.0 kW
- Mount: SAE #1
- Pinion: 13 tooth
- Rotation: Clockwise (viewed from pinion side)
- Wet Clutch

# DENSO

DENSO SALES CANADA, INC.

195 Brunel Road  
Mississauga, ON L4Z 1X3  
1-866-729-3626