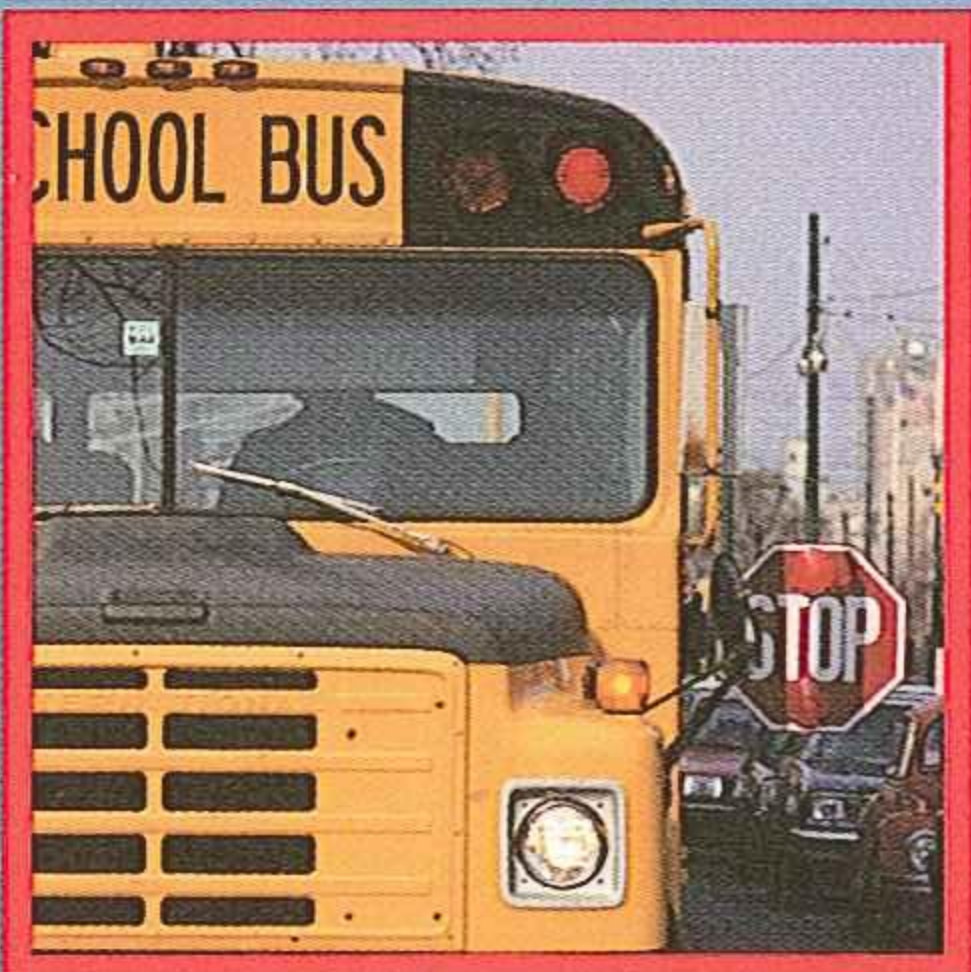
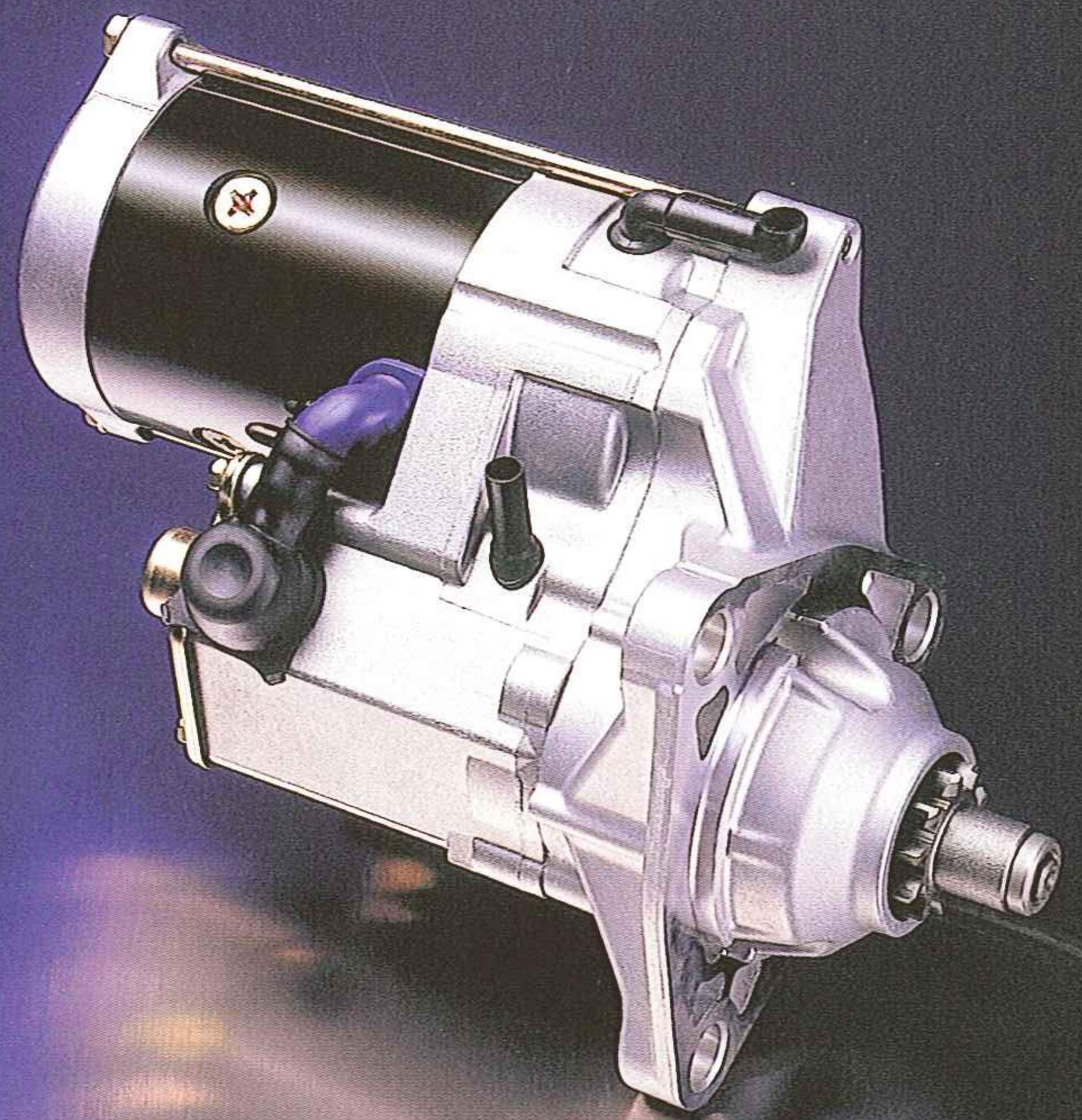


# DENSO

## 228000-8510

GEAR REDUCTION STARTERS  
FROM THE WORLD'S LARGEST  
STARTER MANUFACTURER



### GEARED FOR YOUR TOUGHEST APPLICATIONS

For thirty years the biggest names in commercial power plants have chosen one name in cranking power—DENSO. Around the globe, DENSO gear reduction starters simply install faster, maintain easier and withstand abuse better under extreme conditions. Quality, durability, reliability and performance have made DENSO the world's largest starter manufacturer.

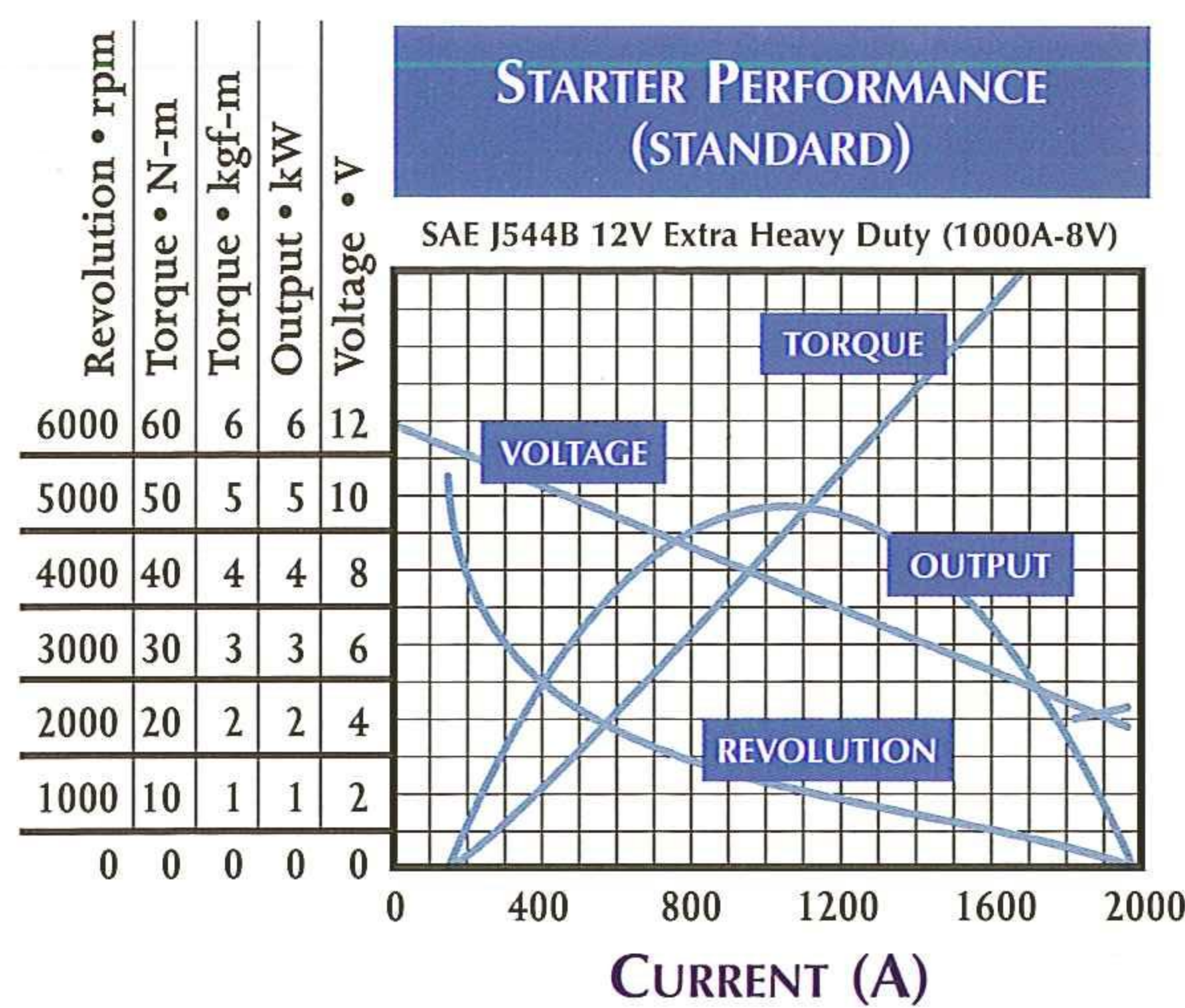
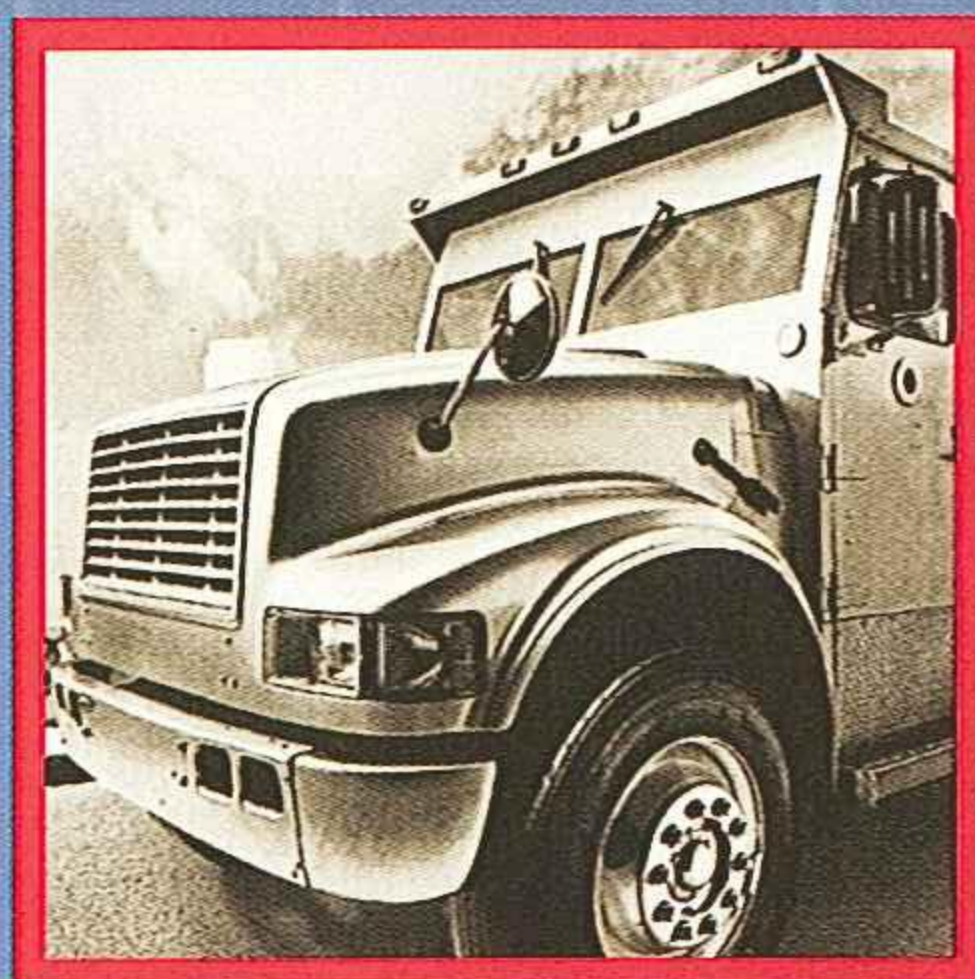
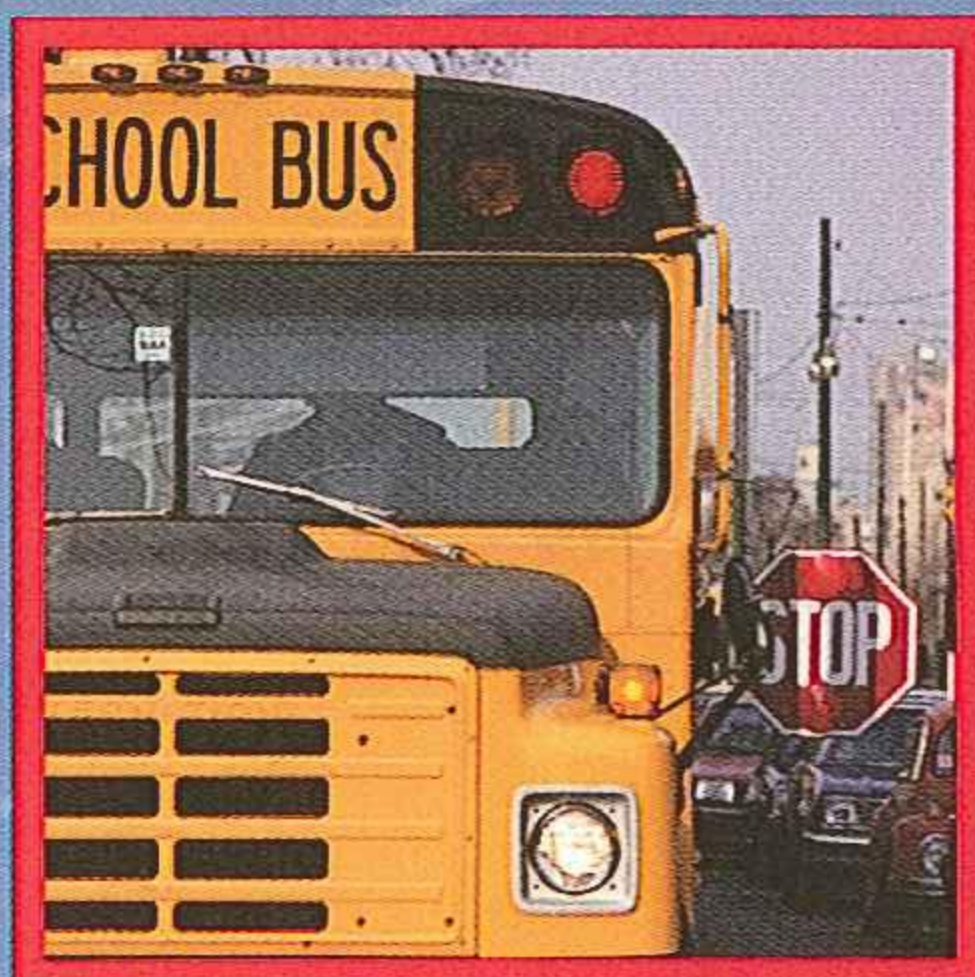
#### APPLICATIONS (DIESEL)

**228000-8510:  
NAVISTAR DT466**

#### FEATURES

- Compact and lightweight design
- High torque
- High durability in frequent stop/start applications
- Impact torque limiter used for prevention of ring gear damage
- Self-contained clutch shaft
- Solenoid and clutch arranged co-axially for smooth engagement
- Sealed heavy duty ball bearings

# 228000-8510



## USAGE

- Armored Car Fleets
- Beverage Fleets
- Bottle Water Distributor Fleets
- Cargo Delivery Fleets
- Dairy Fleets
- Furniture Delivery Fleets
- Ice Cream Fleets
- Newspaper Delivery Fleets
- Rental Equipment Fleets
- School Bus Fleets
- Uniform Delivery Fleets
- Waste Management Fleets

## SPECIFICATIONS

- 12V 4.0 kW
- Mount: SAE #3
- Pinion: 10 tooth
- Rotation: Clockwise (viewed from pinion side)
- Wet Clutch

# DENSO

DENSO SALES CANADA, INC.

195 Brunel Road  
Mississauga, ON L4Z 1X3  
1-866-729-3626