




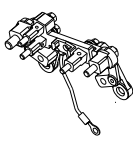



Group:	AC172RA / AC172TRA Alternators	Notes:
Form:	SP4007_AC172RA-TRA_Series	Service parts & kits listing. (AC172TRA & AC172RA)
Date:	May 27, 2010 (Rev: 0)	
File:	Service parts list section	








Component View	Front housing	Rear housing	Rotor	Stator	Rectifier assembly	Terminal ⁽¹⁾ assembly	Regulator
							
Part number	1	2	3	4	5	6	7
1277640	6360-340	6360-342	6332-A1487	6332-A1488	6360-345	-	1861760
1277A640	6360-340	6360-449	6332-A1501	6332-A1500	6360-345	-	1861762
1277650	6360-340	6360-342	6332-A1487	6332-A1488	6360-345	-	1861760
1277A650	6360-340	6360-449	6332-A1501	6332-A1500	6360-345	-	1861762
1277670	6360-392	6360-342	6332-A1487	6332-A1488	6360-345	-	1861760
1277A670	6360-392	6360-449	6332-A1501	6332-A1500	6360-345	-	1861762
1277680	6360-392	6360-394	6332-A1487	6332-A1488	6360-345	-	1861761
1277A680	6360-392	6360-456	6332-A1501	6332-A1500	6360-345	-	1861763
1277690	6360-393	6360-342	6332-A1487	6332-A1488	6360-345	-	1861760
1277A690	6360-393	6360-449	6332-A1501	6332-A1500	6360-345	-	1861762
1277700	6360-392	6360-394	6332-A1487	6332-A1488	6360-345	-	1861760
1277A700	6360-392	6360-456	6332-A1501	6332-A1500	6360-345	-	1861762
1277710	6360-392	6360-342	6332-A1487	6332-A1488	6360-345	-	1861761
1277A710	6360-392	6360-449	6332-A1501	6332-A1500	6360-345	-	1861763
1277720	6360-340	6360-394	6332-A1487	6332-A1488	6360-345	-	1861760
1277A720	6360-340	6360-456	6332-A1501	6332-A1500	6360-345	-	1861762
1277730	6360-411	6360-413	6332-A1493	6332-A1488	6360-420	6360-419	1861770
1277A730	6360-411	6360-487	6332-A1503	6332-A1500	6360-420	6360-419	1861774
1277740	6360-411	6360-413	6332-A1493	6332-A1488	6360-420	6360-419	1861770
1277A740	6360-411	6360-487	6332-A1503	6332-A1500	6360-420	6360-419	1861774
1277750	6360-392	6360-394	6332-A1487	6332-A1488	6360-345	-	1861760
1277A750	6360-392	6360-456	6332-A1501	6332-A1500	6360-345	-	1861762
1277760	6360-340	6360-394	6332-A1487	6332-A1488	6360-345	-	1861761
1277A760	6360-340	6360-456	6332-A1501	6332-A1500	6360-345	-	1861763
1277810	6360-411	6360-413	6332-A1493	6332-A1488	6360-461	6360-460	1861772
1277820	6360-411	6360-413	6332-A1493	6332-A1488	6360-461	6360-460	1861772
1277830	6360-392	6360-394	6332-A1487	6332-A1488	6360-470	6360-469	6516-1
1277840	6360-474	6360-342	6332-A1487	6332-A1488	6360-345	-	1861760
1277A840	6360-474	6360-449	6332-A1501	6332-A1500	6360-345	-	1861762
1277860	6360-340	6360-342	6332-A1487	6332-A1488	6360-345	-	1861761
1277A860	6360-340	6360-449	6332-A1501	6332-A1500	6360-345	-	1861763
1277A870	6360-393	6360-456	6332-A1501	6332-A1500A	6360-345A	-	1861763
1277A880	6360-340	6360-456	6332-A1501	6332-A1500A	6360-345A	-	1861763
1277A890	6360-340	6360-449	6332-A1501	6332-A1500A	6360-345A	-	1861763
860340 ⁽³⁾	6360-392	6360-394	6332-A1487	6332-A1488	6360-345	-	1861760

Note:

- Terminal assembly (item 6) is available as individual component for 1277730, 1277A730, 1277740, 1277A740, 1277810, 1277820 and 1277830 only. Rectifier assembly (item 5) includes heatsink assembly and terminal assembly for all listed alternators.
- Alternative pulley nut used for special Mercedes-Benz pulley applications, see TSB4034.
- Fitting kit instruction for 860340, see TSB4027.

Important: The information contained in this bulletin is intended for use by trained, professional technicians who have the proper tools, equipment, and training to perform the required maintenance described above. This information is NOT intended for 'do-it-yourselfers', and you should not assume that this information applies to your equipment. If you have any questions regarding this information please visit our website at www.prestolite.com, or contact our technical service department at:

Group:	AC172RA / AC172TRA Alternators	Notes:
Form:	SP4007_AC172RA-TRA Series	Service parts & kits listing. (AC172TRA & AC172RA)
Date:	May 27, 2010 (Rev: 0)	
File:	Service parts list section	

Component View	Brush kit	Bearing kit	Fan	Cover kit	Hardware kit	Pulley retention kit	Alternative ⁽²⁾ pulley nut
							
Part number	8	9	10	11	12	13	14
1277640	6360-409D	6360-523	6360-254	6360-524	6360-528	6360-531	6360-503
1277A640	6360-530	6360-523	6360-254	6360-527	6360-528	6360-531	6360-503
1277650	6360-409D	6360-523	6360-254	6360-524	6360-528	6360-531	6360-503
1277A650	6360-530	6360-523	6360-254	6360-527	6360-528	6360-531	6360-503
1277670	6360-409D	6360-523	6360-254	6360-524	6360-528	6360-531	-
1277A670	6360-530	6360-523	6360-254	6360-527	6360-528	6360-531	-
1277680	6360-409D	6360-523	6360-254	6360-524	6360-528	6360-531	-
1277A680	6360-530	6360-523	6360-254	6360-527	6360-528	6360-531	-
1277690	6360-409D	6360-523	6360-254	6360-524	6360-528	6360-531	-
1277A690	6360-530	6360-523	6360-254	6360-527	6360-528	6360-531	-
1277700	6360-409D	6360-523	6360-254	6360-524	6360-528	6360-531	-
1277A700	6360-530	6360-523	6360-254	6360-527	6360-528	6360-531	-
1277710	6360-409D	6360-523	6360-254	6360-524	6360-528	6360-531	-
1277A710	6360-530	6360-523	6360-254	6360-527	6360-528	6360-531	-
1277720	6360-409D	6360-523	6360-254	6360-524	6360-528	6360-531	-
1277A720	6360-530	6360-523	6360-254	6360-527	6360-528	6360-531	-
1277730	6360-409D	6360-523	6360-254	6360-525	6360-529	6360-531	-
1277A730	6360-530	6360-523	6360-254	6360-525	6360-529	6360-531	-
1277740	6360-409D	6360-523	6360-254	6360-525	6360-529	6360-531	-
1277A740	6360-530	6360-523	6360-254	6360-525	6360-529	6360-531	-
1277750	6360-409D	6360-523	6360-254	6360-524	6360-528	6360-531	-
1277A750	6360-530	6360-523	6360-254	6360-527	6360-528	6360-531	-
1277760	6360-409D	6360-523	6360-254	6360-524	6360-528	6360-531	-
1277A760	6360-530	6360-523	6360-254	6360-527	6360-528	6360-531	-
1277810	6360-409D	6360-523	6360-254	6360-526	6360-529	6360-531	-
1277820	6360-409D	6360-523	6360-254	6360-526	6360-529	6360-531	-
1277830	6360-409D	6360-523	6360-254	6360-473	6360-528	6360-531	-
1277840	6360-409D	6360-523	6360-254	6360-524	6360-528	6360-531	-
1277A840	6360-530	6360-523	6360-254	6360-527	6360-528	6360-531	-
1277860	6360-409D	6360-523	6360-254	6360-524	6360-528	6360-531	-
1277A860	6360-530	6360-523	6360-254	6360-527	6360-528	6360-531	-
1277A870	6360-530	6360-523	6360-254	6360-454*	6360-528	6360-531	-
1277A880	6360-530	6360-523	6360-254	6360-454*	6360-528	6360-531	-
1277A890	6360-530	6360-523	6360-254	6360-454*	6360-528	6360-531	-
860340 ⁽³⁾	6360-409D	6360-523	6360-254	6360-524	6360-528	6360-531	-

Note:

1. Terminal assembly (item 6) is available as individual component for 1277730, 1277A730, 1277740, 1277A740, 1277810, 1277820 and 1277830 only. Rectifier assembly (item 5) includes heatsink assembly and terminal assembly for all listed alternators.
2. Alternative pulley nut used for special Mercedes-Benz pulley applications, see TSB4034.
3. Fitting kit instruction for 860340, see TSB4027.

Important: The information contained in this bulletin is intended for use by trained, professional technicians who have the proper tools, equipment, and training to perform the required maintenance described above. This information is NOT intended for 'do-it-yourselfers', and you should not assume that this information applies to your equipment. If you have any questions regarding this information please visit our website at www.prestolite.com, or contact our technical service department at:

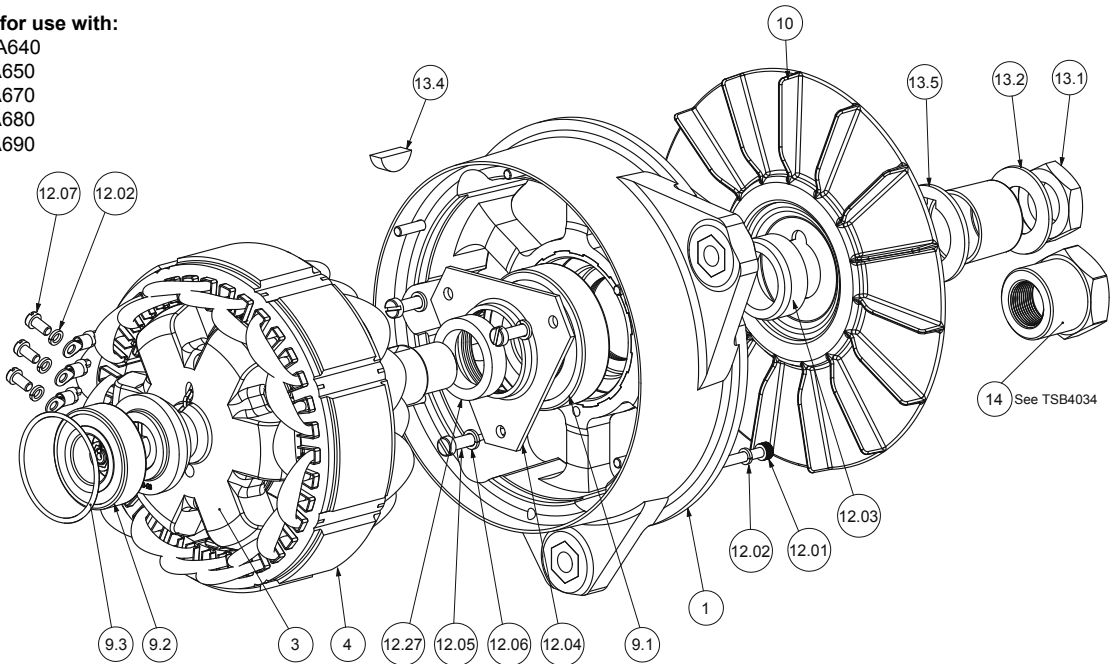
Prestolite Electric Ltd
Unit 48, The Metropolitan Park
12-16 Bristol Road, Greenford,
Middlesex
UB6 8UP, United Kingdom

Tel: +44 (0) 20 8231 1000
Fax: +44 (0) 20 8575 9575
eu_info@prestolite.com

Group:	AC172RA / AC172TRA Alternators	Notes:
Form:	SP4007_AC172RA-TRA Series	AC172TRA major parts and components exploded view.
Date:	May 27, 2010 (Rev: 0)	
File:	Service parts list section	

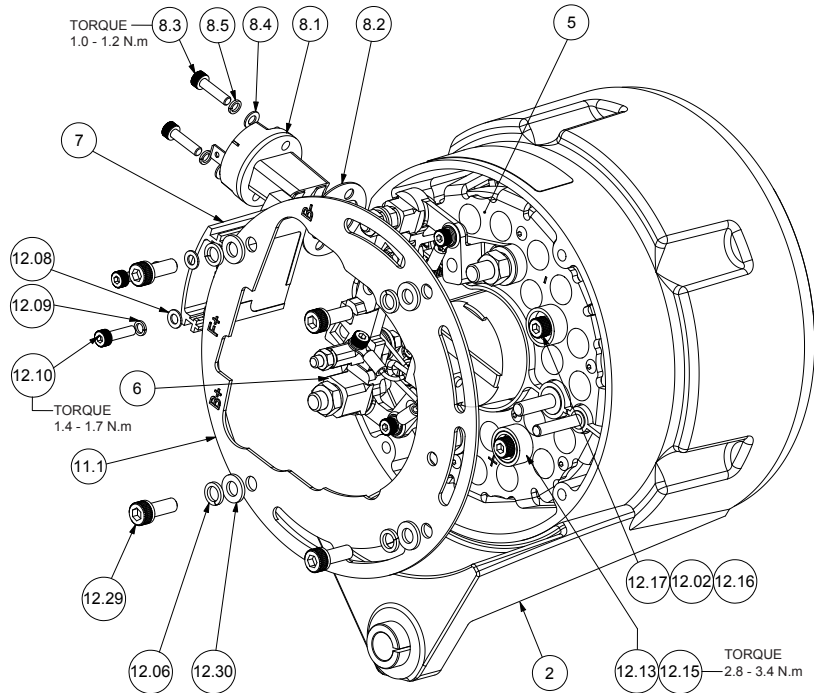
Exploded view for use with:

- 1277640, 1277A640
- 1277650, 1277A650
- 1277670, 1277A670
- 1277680, 1277A680
- 1277690, 1277A690
- 1277700
- 1277A700
- 1277710
- 1277A710
- 1277720
- 1277A720
- 1277750
- 1277A750
- 1277760
- 1277A760
- 1277830
- 1277840
- 1277A840
- 1277860
- 1277A860
- 1277A870
- 1277A880
- 1277A890
- 860340



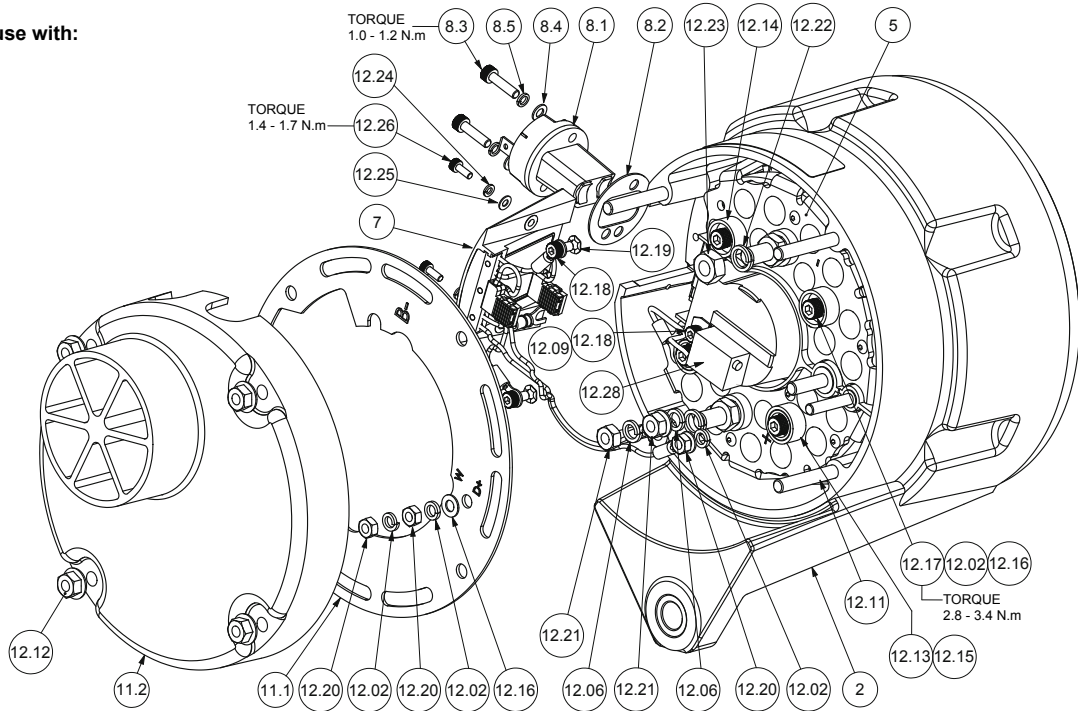
Group:	AC172RA / AC172TRA Alternators	Notes:
Form:	SP4007_AC172RA-TRA Series	AC172TRA major parts and components exploded view.
Date:	May 2, 2010 (Rev: 0)	
File:	Service parts list section	

Exploded view for use with:
1277830 only



Exploded view for use with:

- 1277A640
- 1277A650
- 1277A670
- 1277A680
- 1277A690
- 1277A700
- 1277A710
- 1277A720
- 1277A750
- 1277A760
- 1277A840
- 1277A860
- 1277A870
- 1277A880
- 1277A890



Important: The information contained in this bulletin is intended for use by trained, professional technicians who have the proper tools, equipment, and training to perform the required maintenance described above. This information is NOT intended for 'do-it-yourselfers', and you should not assume that this information applies to your equipment. If you have any questions regarding this information please visit our website at www.prestolite.com, or contact our technical service department at:

Group:	AC172RA / AC172TRA Alternators	Notes:
Form:	SP4007_AC172RA-TRA Series	AC172TRA service kits breakdown. (1277640, 1277A640, 1277650, 1277A650, 1277670, 1277A670, 1277680, 1277A680, 1277690, 1277A690, 1277700, 1277A700, 1277710, 1277A710, 1277720, 1277A720, 1277750, 1277A750, 1277760, 1277A760, 1277830, 1277840, 1277A840, 1277860, 1277A860, 860340)
Date:	May 27, 2010 (Rev: 0)	
File:	Service parts list section	

6360-528 (HARDWARE KIT)			1277640	1277A640	1277650	1277A650	1277670	1277A670	1277680	1277A680	1277690	1277A690	1277700	1277A700	1277710	1277A710	1277720	1277A720	1277750	1277A750	1277760	1277A760	1277830	1277840	1277A840	1277860	1277A860	1277A870	1277A880	1277A890	860340
Item no.	Description	Kit Qty																													
12.01	Through bolt (M5 cap, 45 lg)	6	6	6	6	6	6	6	6	6	6	6	6	6	6	6	6	6	6	6	6	6	6	6	6	6	6	6	6	6	6
12.02	Spring washer (OD8.3, ID5.1)	16	16	16	16	16	16	16	16	16	16	16	16	16	16	16	16	16	16	16	16	16	16	9	16	16	16	16	16	16	16
12.03	Fan washer	1	1	1	1	1	1	1	1	1	1	1	1	1	1	1	1	1	1	1	1	1	1	1	1	1	1	1	1	1	1
12.04	Bearing clamp plate	1	1	1	1	1	1	1	1	1	1	1	1	1	1	1	1	1	1	1	1	1	1	1	1	1	1	1	1	1	1
12.05	Screw (M6 slotted, 16 lg)	3	3	3	3	3	3	3	3	3	3	3	3	3	3	3	3	3	3	3	3	3	3	3	3	3	3	3	3	3	3
12.06	Spring washer (OD9.8, ID6.6)	5	5	5	5	5	5	5	5	5	5	5	5	5	5	5	5	5	5	5	5	5	3	5	5	5	5	5	5	5	5
12.07	Screw (M5 slotted, 10 lg)	3	3	3	3	3	3	3	3	3	3	3	3	3	3	3	3	3	3	3	3	3	3	3	3	3	3	3	3	3	3
12.08	Flat washer (OD8.1, ID4.2)	2	2		2		2		2		2		2		2		2		2		2		2	2		2					2
12.09	Spring washer (OD6.7, ID4.4)	3	3		3		3		3		3		3		3		3		3		3		3	3		3					3
12.10	Screw (M4 cap, 16 lg)	2	2		2		2		2		2		2		2		2		2		2		2	2		2					2
12.11	Stud (M6, 45 lg)	4	4	4	4	4	4	4	4	4	4	4	4	4	4	4	4	4	4	4	4	4	4	4	4	4	4	4	4	4	4
12.12	Washer face nut (M6 hex)	4	4	4	4	4	4	4	4	4	4	4	4	4	4	4	4	4	4	4	4	4	4	4	4	4	4	4	4	4	4
12.13	+ve Cup Heatsink	4	2	2	2	2	2	2	2	2	2	2	2	2	2	2	2	2	2	4	4	2	2	1	2	2	2	2	2	2	2
12.14	-ve Cup Heatsink	2	2	2	2	2	2	2	2	2	2	2	2	2	2	2	2	2	2			2	2	1	2	2	2	2	2	2	2
12.15	Insulating washer	4	2	2	2	2	2	2	2	2	2	2	2	2	2	2	2	2	2	4	4	2	2	2	2	2	2	2	2	2	2
12.16	Flat washer (OD10.1, ID5.0)	5	3	3	3	3	3	3	3	3	3	3	3	3	3	3	3	3	5	5	3	3	3	3	3	3	3	3	3	3	3
12.17	Screw (M5 cap, 40 lg)	4	4	4	4	4	4	4	4	4	4	4	4	4	4	4	4	4	4	4	4	4	4	4	4	4	4	4	4	4	4
12.18	Screw (M4 cap, 8 lg)	3	3	3	3	3	3	3	3	3	3	3	3	3	3	3	3	3	3	3	3	3	2	3	3	3	3	3	3	3	3
12.19	Wavy washer (OD8.0, ID4.4)	2	2	2	2	2	2	2	2	2	2	2	2	2	2	2	2	2	2	2	2	2	2	2	2	2	2	2	2	2	2
12.20	Nut (M5 hex)	3	3	3	3	3	3	3	3	3	3	3	3	3	3	3	3	3	3	3	3	3	3	3	3	3	3	3	3	3	3
12.21	Nut (M6 hex)	2	2	2	2	2	2	2	2	2	2	2	2	2	2	2	2	2	2	2	2	2	2	2	2	2	2	2	2	2	2
12.22	Spring washer (OD11.9, ID8.7)	2	2	2	2	2	2	2	2	2	2	2	2	2	2	2	2	2	2	2	2	2	2	2	2	2	2	2	2	2	2
12.23	Nut (M8, hex)	2	2	2	2	2	2	2	2	2	2	2	2	2	2	2	2	2	2	2	2	2	2	2	2	2	2	2	2	2	2
12.24	Spring washer (OD6.1, ID3.2)	2		2		2		2		2		2		2		2		2		2		2				2		2	2	2	2
12.25	Flat Washer (OD6, ID3.3)	2		2		2		2		2		2		2		2		2		2		2				2		2	2	2	2
12.26	Screw (M3 cap, 8 lg)	2		2		2		2		2		2		2		2		2		2		2				2		2	2	2	2
12.27	Spacer	1	1	1	1	1	1	1	1	1	1	1	1	1	1	1	1	1	1	1	1	1	1	1	1	1	1	1	1	1	1
12.28	Suppressor	1	1	1	1	1	1	1	1	1	1	1	1	1	1	1	1	1	1	1	1	1	1	1	1	1	1	1	1	1	1
12.29	Screw (M6 cap, 16 lg)	4																					4								
12.30	Washer (OD12, ID6.6)	4																					4								

NOTE: The components listed in kits are not available for individual purchase.

Important: The information contained in this bulletin is intended for use by trained, professional technicians who have the proper tools, equipment, and training to perform the required maintenance described above. This information is NOT intended for 'do-it-yourselfers', and you should not assume that this information applies to your equipment. If you have any questions regarding this information please visit our website at www.prestolite.com, or contact our technical service department at:

Prestolite Electric Ltd
Unit 48, The Metropolitan Park
12-16 Bristol Road, Greenford,
Middlesex
UB6 8UP, United Kingdom

Tel: +44 (0) 20 8231 1000
Fax: +44 (0) 20 8575 9575
eu_info@prestolite.com

Group:	AC172RA / AC172TRA Alternators	Notes:
Form:	SP4007_AC172RA-TRA Series	AC172TRA & AC172RA service kits breakdown.
Date:	May 27, 2010 (Rev: 0)	
File:	Service parts list section	

BRUSH KIT (Item 8)

Item no.	Description	Qty
8.1	Brush box	1
8.2	Rubber gasket	1
8.3	Screw (M4 cap, 15 lg)	2
8.4	Flat washer (OD8.1, ID4.2)	2
8.5	Spring washer (OD6.7, ID4.4)	2

NOTE: The components listed in kits are not available for individual purchase.

BEARING KIT (Item 9)

Item no.	Description	Qty
9.1	Drive end bearing (OD72 , ID29.9)	1
9.2	Slipring end bearing (OD52, ID24.9)	1
9.3	O-ring (OD56.8, ID51.8)	1

COVER KIT (Item 11)

Item no.	Description	Qty
11.1	Baffle plate	1
11.2	Cover	1

*Note: For 1277A870, 1277A880 and 1277A890 only a Baffle plate is supplied.

PULLEY RETENTION KIT (Item 13)

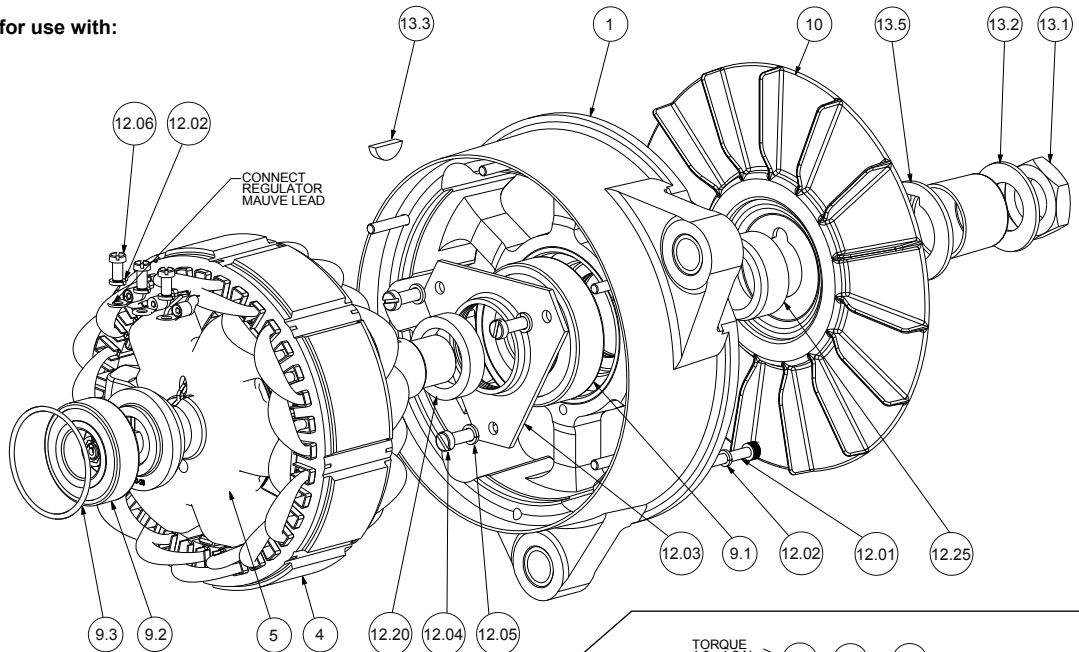
Item no.	Description	Qty
13.1	Shaft nut (M24, hex)	1
13.2	Belleville washer (OD44.7, ID24.6)	1
13.3	Key (4.7 wide) Used on 1277730, 1277740, 1277A730, 1277A740, 1277810 and 1277820 only	1
13.4	Key (7.9 wide)	1
13.5	Flat washer (OD50, ID30)	1

Important: The information contained in this bulletin is intended for use by trained, professional technicians who have the proper tools, equipment, and training to perform the required maintenance described above. This information is NOT intended for 'do-it-yourselfers', and you should not assume that this information applies to your equipment. If you have any questions regarding this information please visit our website at www.prestolite.com, or contact our technical service department at:

Group:	AC172RA / AC172TRA Alternators	Notes:
Form:	SP4007_AC172RA-TRA Series	AC172RA major parts and components exploded view.
Date:	May 27, 2010 (Rev: 0)	
File:	Service parts list section	

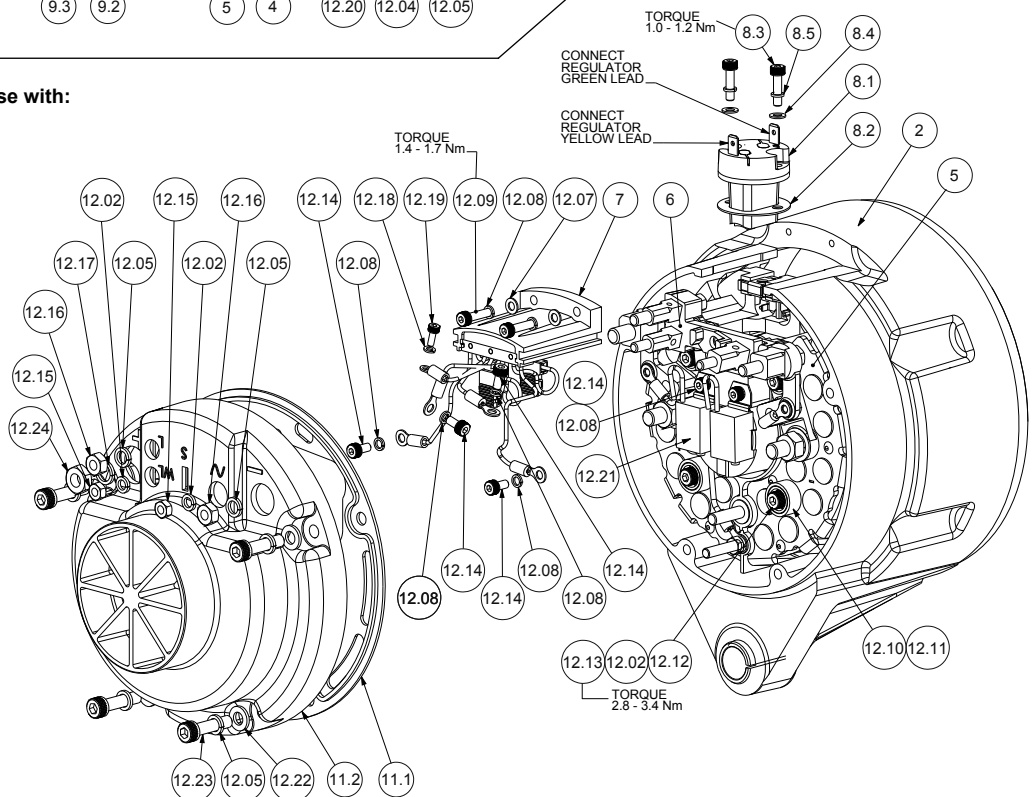
Exploded view for use with:

1277730
1277A730
1277740
1277A740
1277810
1277820



Exploded view for use with:

1277730
1277740
1277810
1277820



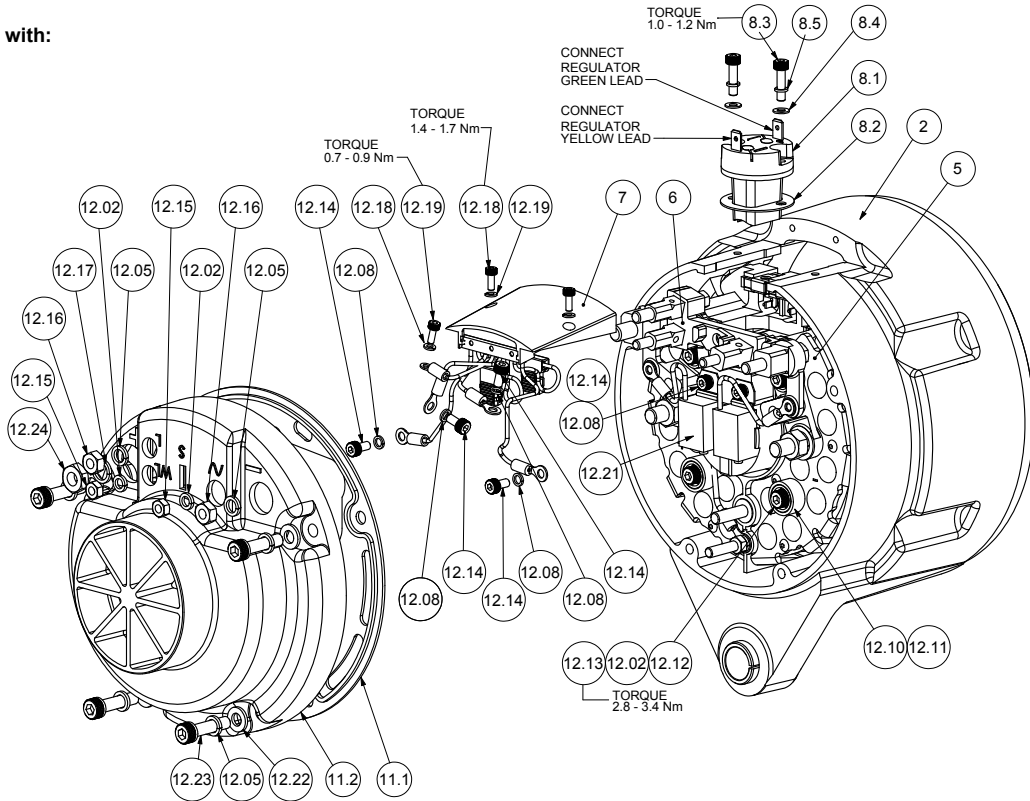
Important: The information contained in this bulletin is intended for use by trained, professional technicians who have the proper tools, equipment, and training to perform the required maintenance described above. This information is NOT intended for 'do-it-yourselfers', and you should not assume that this information applies to your equipment. If you have any questions regarding this information please visit our website at www.prestolite.com, or contact our technical service department at:

Prestolite Electric Ltd
Unit 48, The Metropolitan Park
12-16 Bristol Road, Greenford,
Middlesex
UB6 8UP, United Kingdom

Tel: +44 (0) 20 8231 1000
Fax: +44 (0) 20 8575 9575
eu_info@prestolite.com

Group:	AC172RA / AC172TRA Alternators	Notes:
Form:	SP4007_AC172RA-TRA Series	AC172RA major parts and components exploded view.
Date:	May 27, 2010 (Rev: 0)	
File:	Service parts list section	

Exploded view for use with:
1277A730
1277A740



Important: The information contained in this bulletin is intended for use by trained, professional technicians who have the proper tools, equipment, and training to perform the required maintenance described above. This information is NOT intended for 'do-it-yourselfers', and you should not assume that this information applies to your equipment. If you have any questions regarding this information please visit our website at www.prestolite.com, or contact our technical service department at:

Prestolite Electric Ltd
Unit 48, The Metropolitan Park
12-16 Bristol Road, Greenford,
Middlesex
UB6 8UP, United Kingdom

Tel: +44 (0) 20 8231 1000
Fax: +44 (0) 20 8575 9575
eu_info@prestolite.com

Group:	AC172RA / AC172TRA Alternators	Notes:
Form:	SP4007_AC172RA-TRA Series	AC172RA service kits breakdown.
Date:	May 27, 2010 (Rev: 0)	(For 1277730, 1277A730, 1277740, 1277A740, 1277810, 1277820)
File:	Service parts list section	

6360-529 (HARDWARE KIT)			1277730	1277A730	1277740	1277A740	1277810	1277820
Item no.	Description	Kit Qty						
12.01	Through bolt (M5 cap, 45 lg)	6	6	6	6	6	6	6
12.02	Spring washer (OD8.3, ID5.1)	15	15	15	15	15	15	15
12.03	Bearing clamp plate	1	1	1	1	1	1	1
12.04	Screw (M6 slotted, 16 lg)	3	3	3	3	3	3	3
12.05	Spring washer (OD9.8, ID6.6)	9	9	9	9	9	9	9
12.06	Screw (M5 slotted, 10 lg)	3	3	3	3	3	3	3
12.07	Flat washer (OD8.1, ID4.2)	4	4	2	4	2	4	4
12.08	Spring washer (OD6.7, ID4.4)	8	8	6	8	6	8	8
12.09	Screw (M4 cap, 16 lg)	4	4	2	4	2	4	4
12.10	+ve Cup Heatsink	2	2	2	2	2	2	2
12.11	Insulating washer	4	4	4	4	4	4	4
12.12	Flat washer (OD10.1, ID5.0)	4	4	4	4	4	4	4
12.13	Screw (M5 cap, 40 lg)	4	4	4	4	4	4	4
12.14	Screw (M4 cap, 8 lg)	6	6	6	6	6	6	6
12.15	Nut (M5 hex)	2	2	2	2	2	2	2
12.16	Nut (M6 hex)	2	2	2	2	2	2	2
12.17	Spring washer (OD11.9, ID8.7)	1	1	1	1	1	1	1
12.18	Spring washer (OD6.1, ID3.2)	3	1	3	1	3	1	1
12.19	Screw (M3 cap, 8 lg)	3	1	3	1	3	1	1
12.20	Spacer (OD42, ID30.4, TH10)	1	1	1	1	1	1	1
12.21	Suppressor	2	2	2	2	2	2	2
12.22	Washer (OD12, ID6.6)	4	4	4	4	4	4	4
12.23	Screw (M6 cap, 25lg)	4	4	4	4	4	4	4
12.24	Nut (M8 hex)	1	1	1	1	1	1	1
12.25	Fan washer (OD42, ID30, TH14.9)	1	1	1	1	1	1	1

NOTE: The components listed in kits are not available for individual purchase.

BRUSH KIT (Item 8)		
Item no.	Description	Qty
8.1	Brush box	1
8.2	Rubber gasket	1
8.3	Screw (M4 cap, 15 lg)	2
8.4	Flat washer (OD8.1, ID4.2)	2
8.5	Spring washer (OD6.7, ID4.4)	2

BEARING KIT (Item 9)		
Item no.	Description	Qty
9.1	Drive end bearing (OD72, ID29.9)	1
9.2	Slipping end bearing (OD52, ID24.9)	1
9.3	O-ring (OD56.8, ID51.8)	1

COVER KIT (Item 11)		
Item no.	Description	Qty
11.1	Baffle plate	1
11.2	Cover	1

PULLEY RETENTION KIT (Item 13)		
Item no.	Description	Qty
13.1	Shaft nut (M24, hex)	1
13.2	Belleville washer (OD44.7, ID24.6)	1
13.3	Key (4.7 wide) Used on 1277730, 1277740, 1277A730, 1277A740, 1277810 and 1277820 only	1
13.4	Key (7.9 wide)	1
13.5	Flat washer (OD50, ID30)	1

Important: The information contained in this bulletin is intended for use by trained, professional technicians who have the proper tools, equipment, and training to perform the required maintenance described above. This information is NOT intended for 'do-it-yourselfers', and you should not assume that this information applies to your equipment. If you have any questions regarding this information please visit our website at www.prestolite.com, or contact our technical service department at: