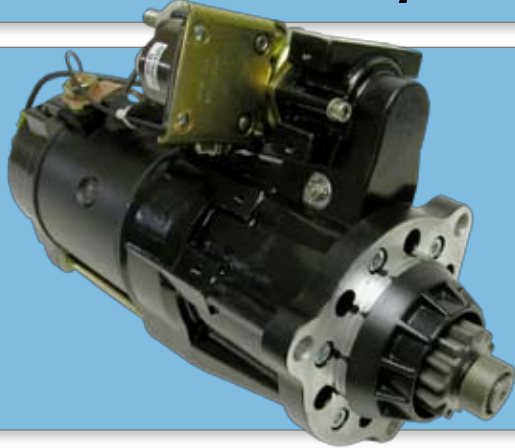


New Product Announcement

M125600 Noseless 12 Volt Starter For DD13/DD15/DD16/MBE 4000

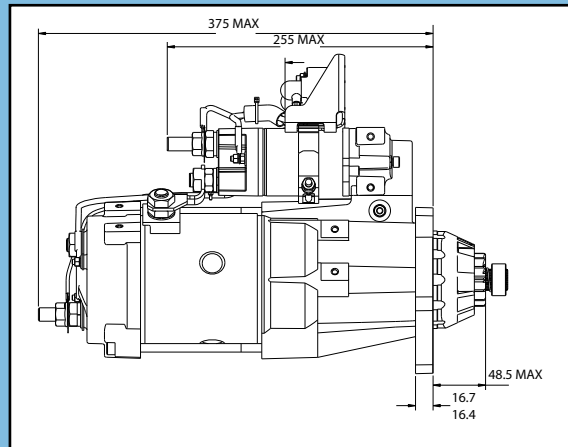


Titan™125 Extreme Power for Extreme Conditions

- Noseless design fits more applications
- Indexable flange and relay allow for greater versatility with less inventory
- Freightliner Class 8
- Dual roller clutch design
- Steel reinforced armatures

Specifications:

- Noseless design clearance for larger diameter ring gear
- Electrical soft start engagement system
- Diode suppressed
- Indexable relay, Indexable flange
- Approved for wet clutch applications
- O-ring seals on all external studs for water submersion / sealing
- 6 shift housing relay mounting positions, 8 fixed locations



Part Number	Sales Number	Engine	Application Info.	Delco	Denso	Mitsubishi
M125R2600SE	M125600	Detroit DD13,15,16 Mercedes MBE 4000	Freightliner Sterling Western Star	8200329 8200298 8300058 8200434 19011514 19011525 8200082 8200084 8300013 8300008 8200287	428000-4451	FL0379 MIB970379 MIB971179 MIB971179FL FL1179

Note: In some instances the starter flange may need to be relocked and vehicle OCP circuit bypassed with furnished by-pass plug.

All M125R starters have IMS/ soft start relay.

For more information
contact your sales representative

Prestolite
Leece-Neville

Marketing Information