

New Product Announcement

M105R2515SE Titan™105

Titan™105	Sales #	Volts	Output	Rotation	OCP	Pinion Details			
						Teeth	Pitch	OD	PAR
M105R2515SE	M105615	12V	5.0 kW	CW	No	11	6/8	57.5	47.5



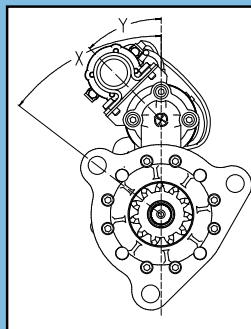
No.	Delco		Mitsubishi		International	
M105615	8200037	8200308	19011516	MIB970975	D61-6002-004	3815734C91
	8200050	8300009	19011517	MIB970975FL	D61-6002-008	
	8200090	8300019	19011518	FL0975	PC0979	
	8200091	8300020	19011521	MIB970777	PC1479	
	8200104	10461777	19011529	MIB970777FL	PC1879	
	8200288	19011500	19011530	FL0777	M983579	
	8200289	19011505	19011531	FL0579	20851006	
	8200290			IN1478	VV0776	
				VV0977		

Maximum engine displacement 11L



Engine	Popular Applications
Mack E7	Mack
Cummins ISM	Freightliner, Western Star, Navistar, Kenworth, Peterbilt
Cummins ISL	Volvo
CAT: C9, C10, C11	Kenworth, Peterbilt

Mountings

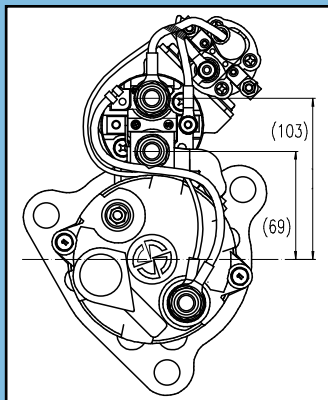


ALTERNATIVE MOUNTINGS		
FLANGE POSITION		
NO	ANGLE X	
1	52.5°	AS SUPPLIED
2	82.5°	Rotate 30° CCW
3	172.5°	Rotate 120° CCW
4	202.5°	Rotate 150° CCW
5	292.5°	Rotate 240° CCW
6	322.5°	Rotate 270° CCW
RELAY POSITION		
POS	ANGLE Y	
A	90°	Rotate 45° CCW
B	45°	AS SUPPLIED
C	0°	Rotate 45° CW
D	-45°	Rotate 90° CW
E	-90°	Rotate 135° CW

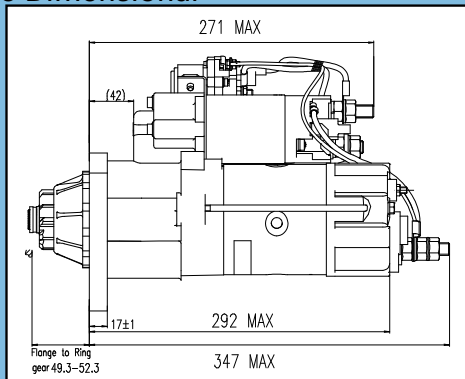
Rear Dimensional

SAE 3 Nose

Mounting Holes
3-(16.62-16.87 mm)



Side Dimensional



For more information
contact your sales representative